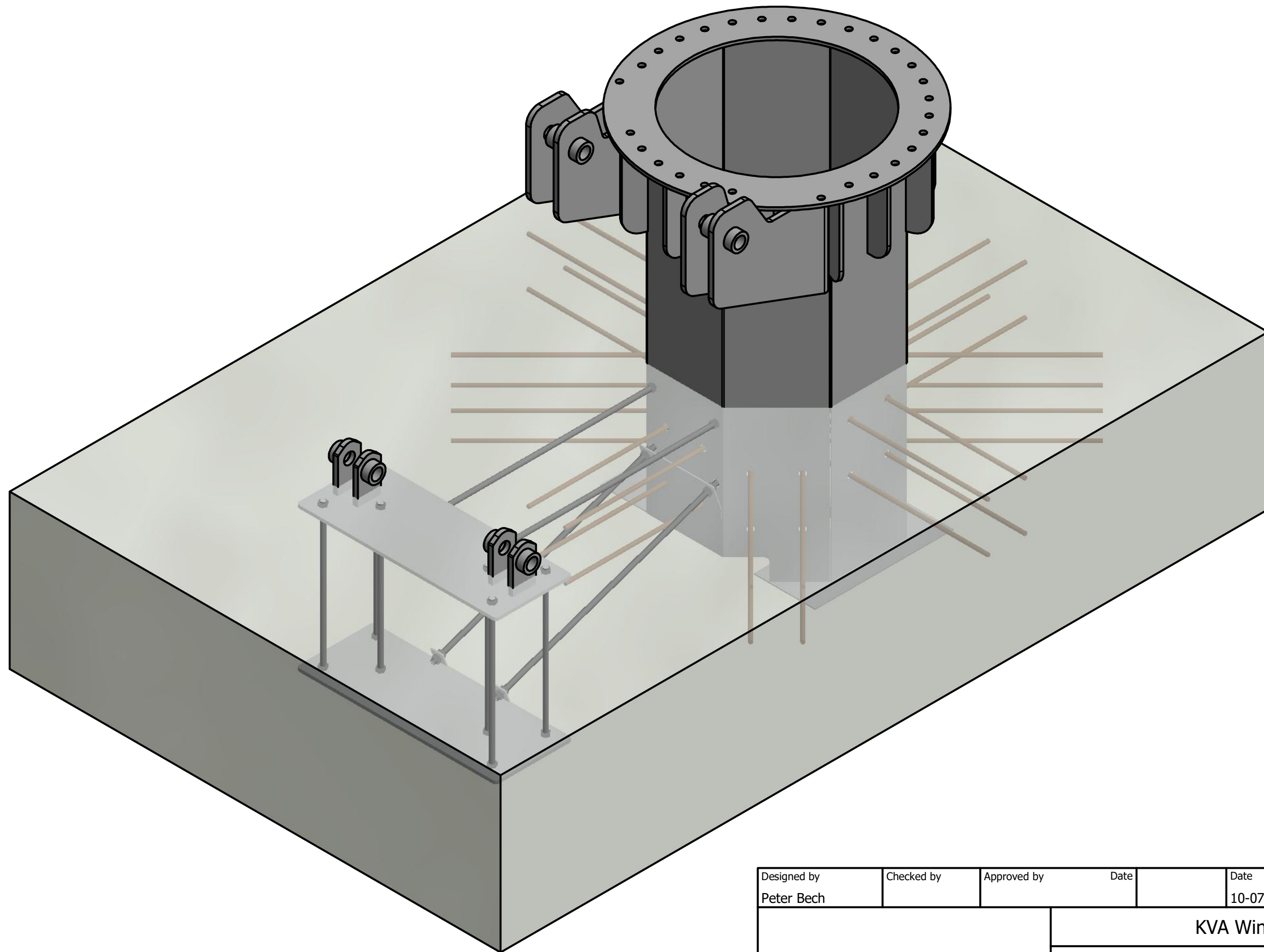


Dig the hole for the moldingbox

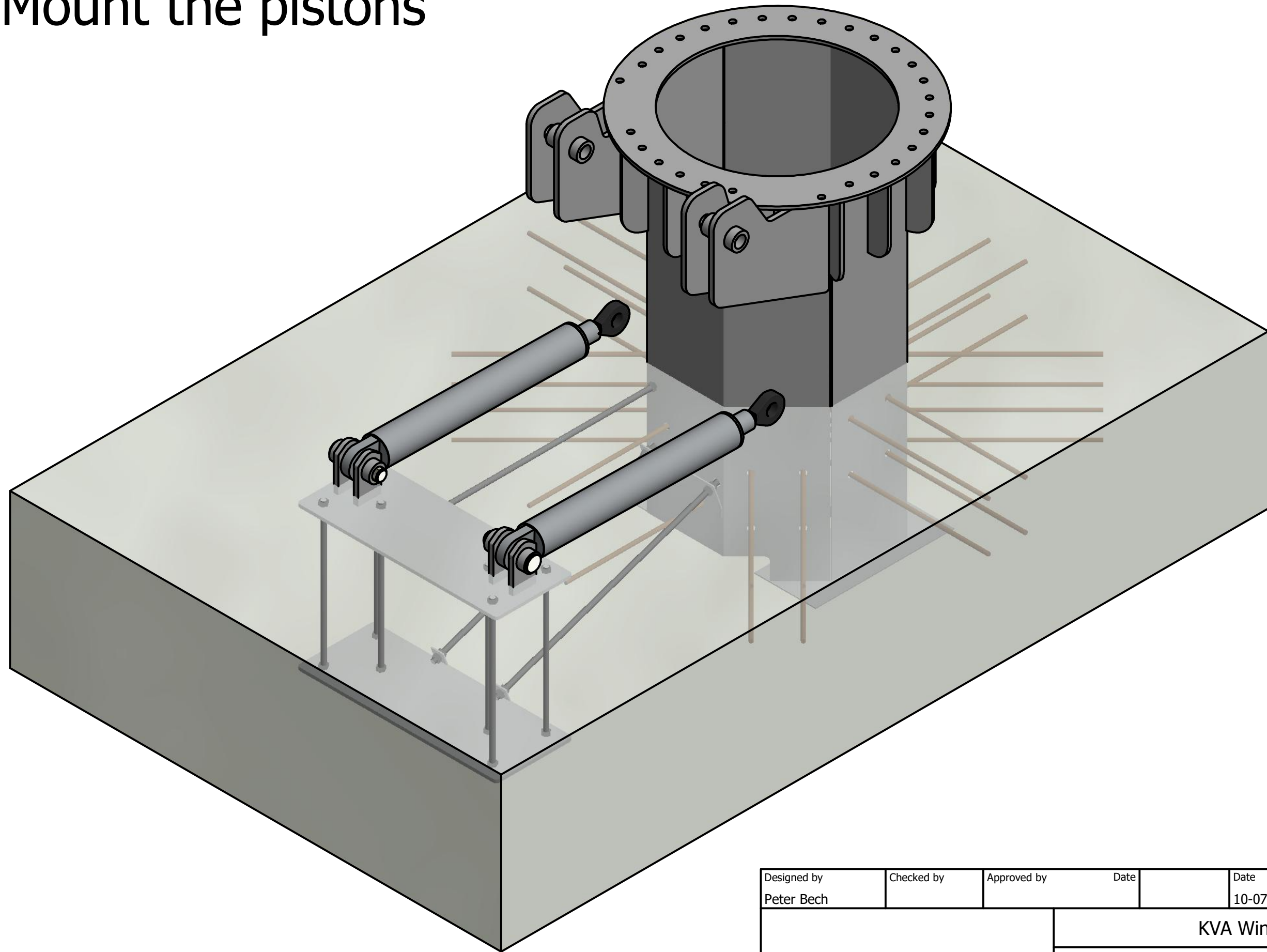
Designed by Peter Bech	Checked by	Approved by	Date	Date 10-07-2019	
			KVA Wind		
				Edition	Sheet 1 / 11

Fill in the concrete



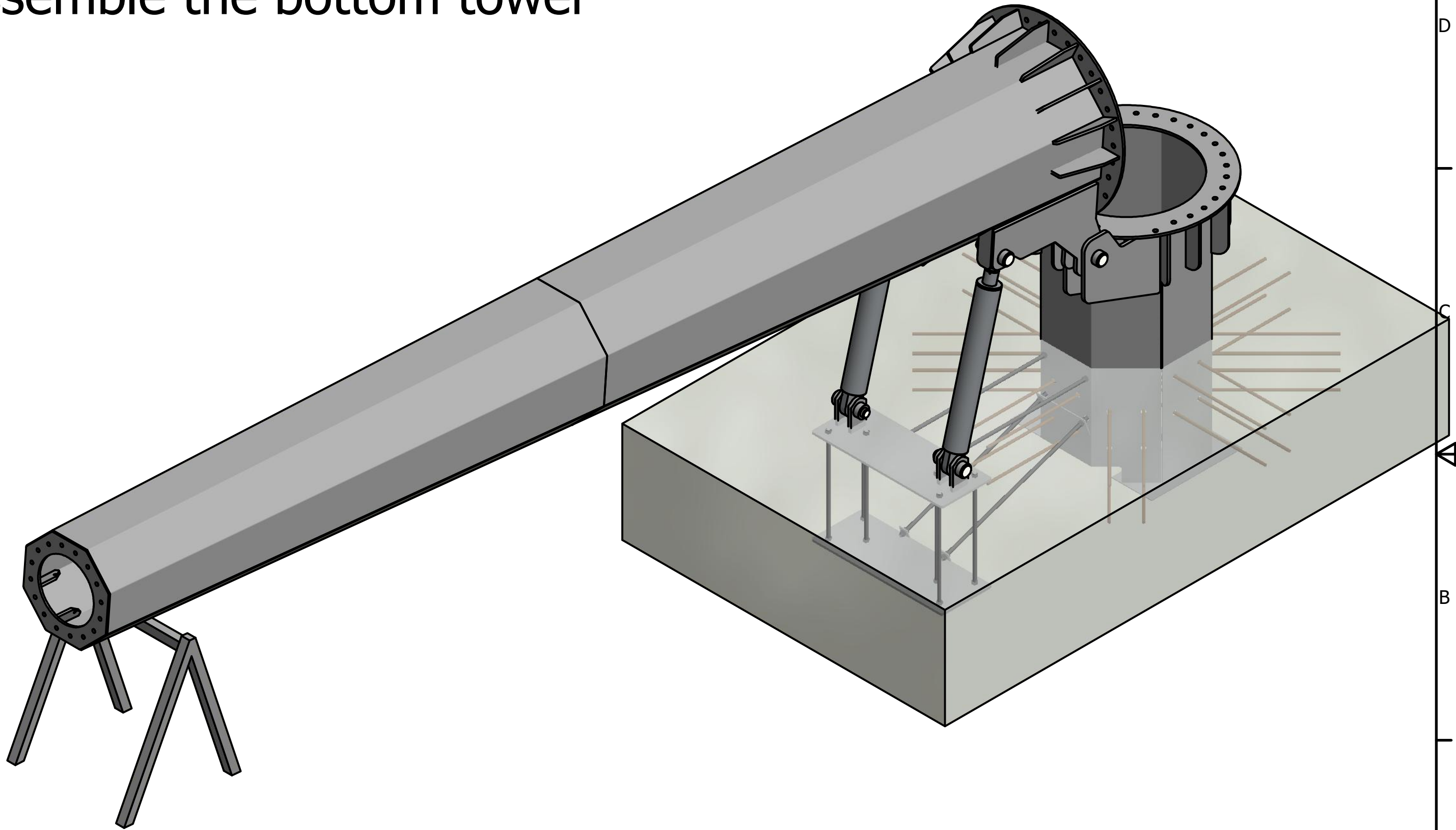
Designed by Peter Bech	Checked by	Approved by	Date	Date 10-07-2019	
			KVA Wind		
				Edition	Sheet 2 / 11

Mount the pistons



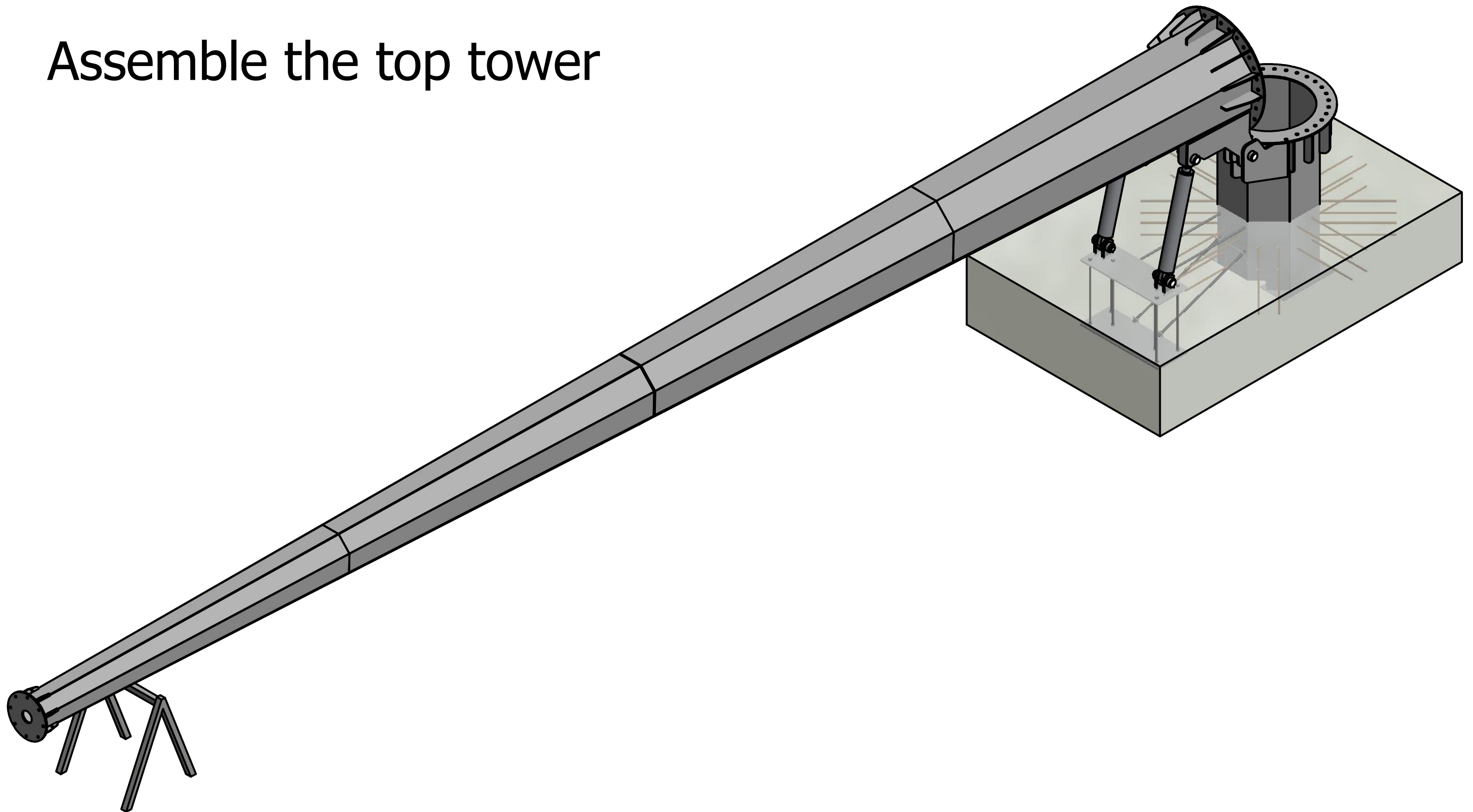
Designed by Peter Bech	Checked by	Approved by	Date	Date 10-07-2019	
			KVA Wind		
				Edition	Sheet 3 / 11

Assemble the bottom tower



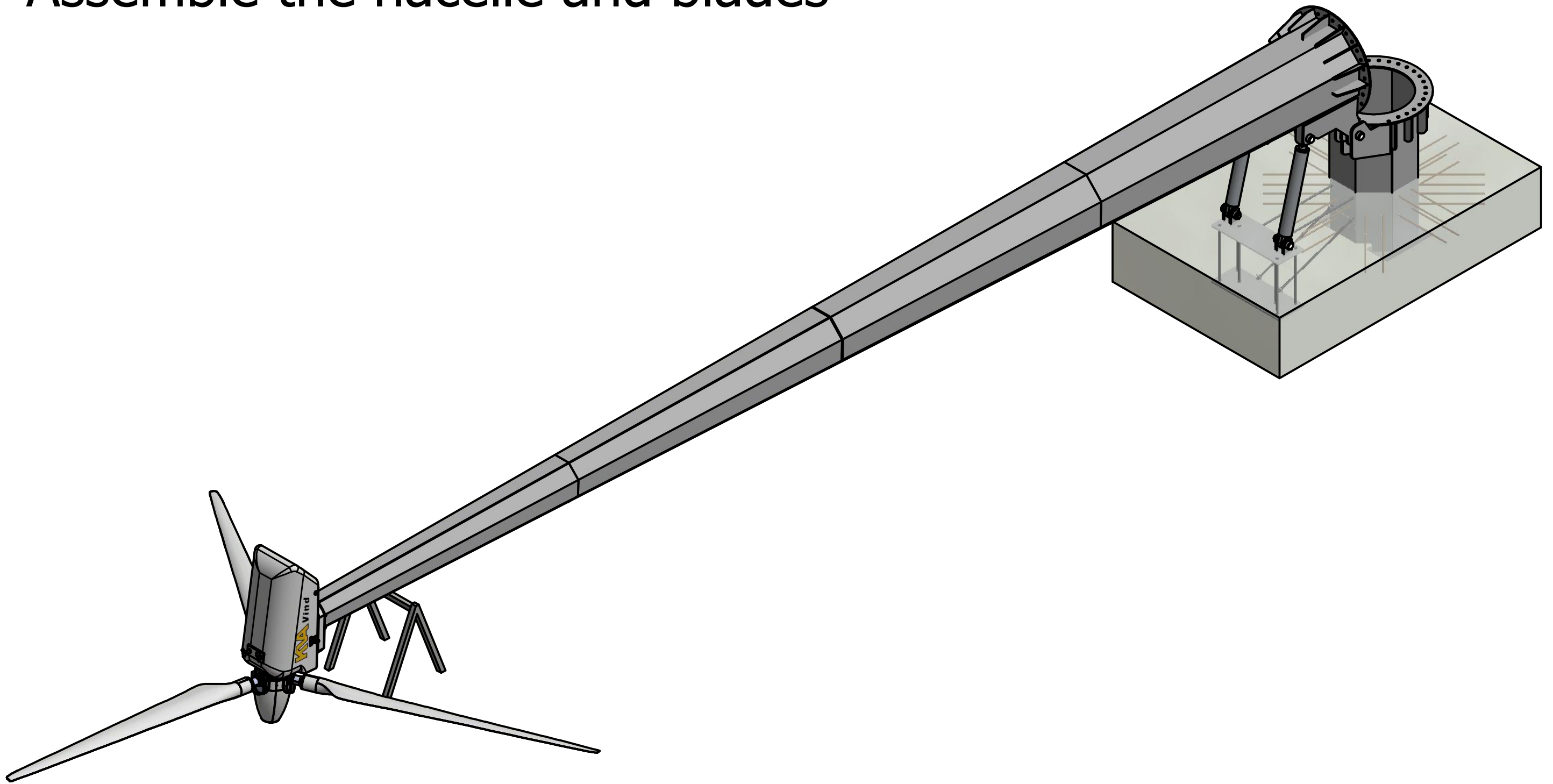
Designed by Peter Bech	Checked by	Approved by	Date	Date 10-07-2019	
			KVA Wind		
				Edition	Sheet 4 / 11

Assemble the top tower



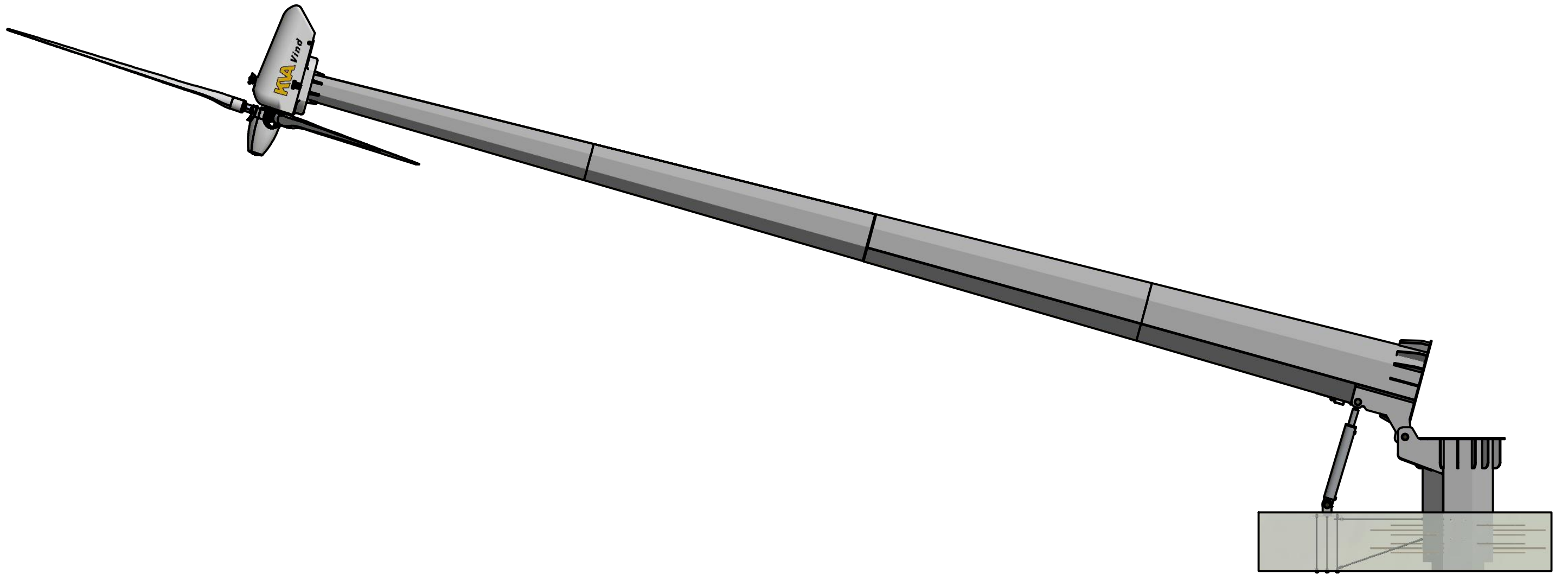
Designed by Peter Bech	Checked by	Approved by	Date	Date 10-07-2019	
			KVA Wind		
				Edition	Sheet 5 / 11

Assemble the nacelle and blades

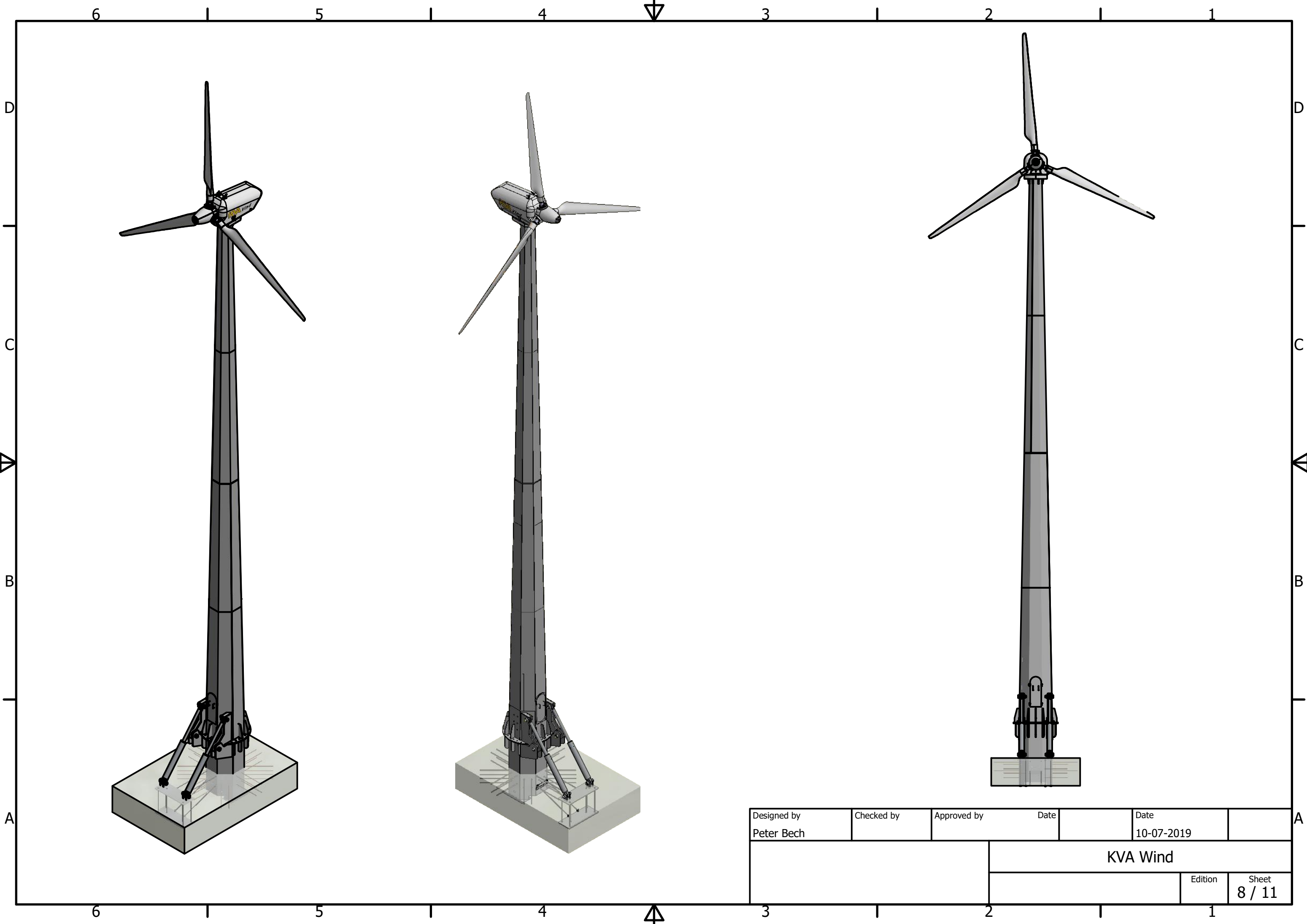


Designed by Peter Bech	Checked by	Approved by	Date	Date 10-07-2019	
			KVA Wind		
				Edition	Sheet 6 / 11

Raise the turbine

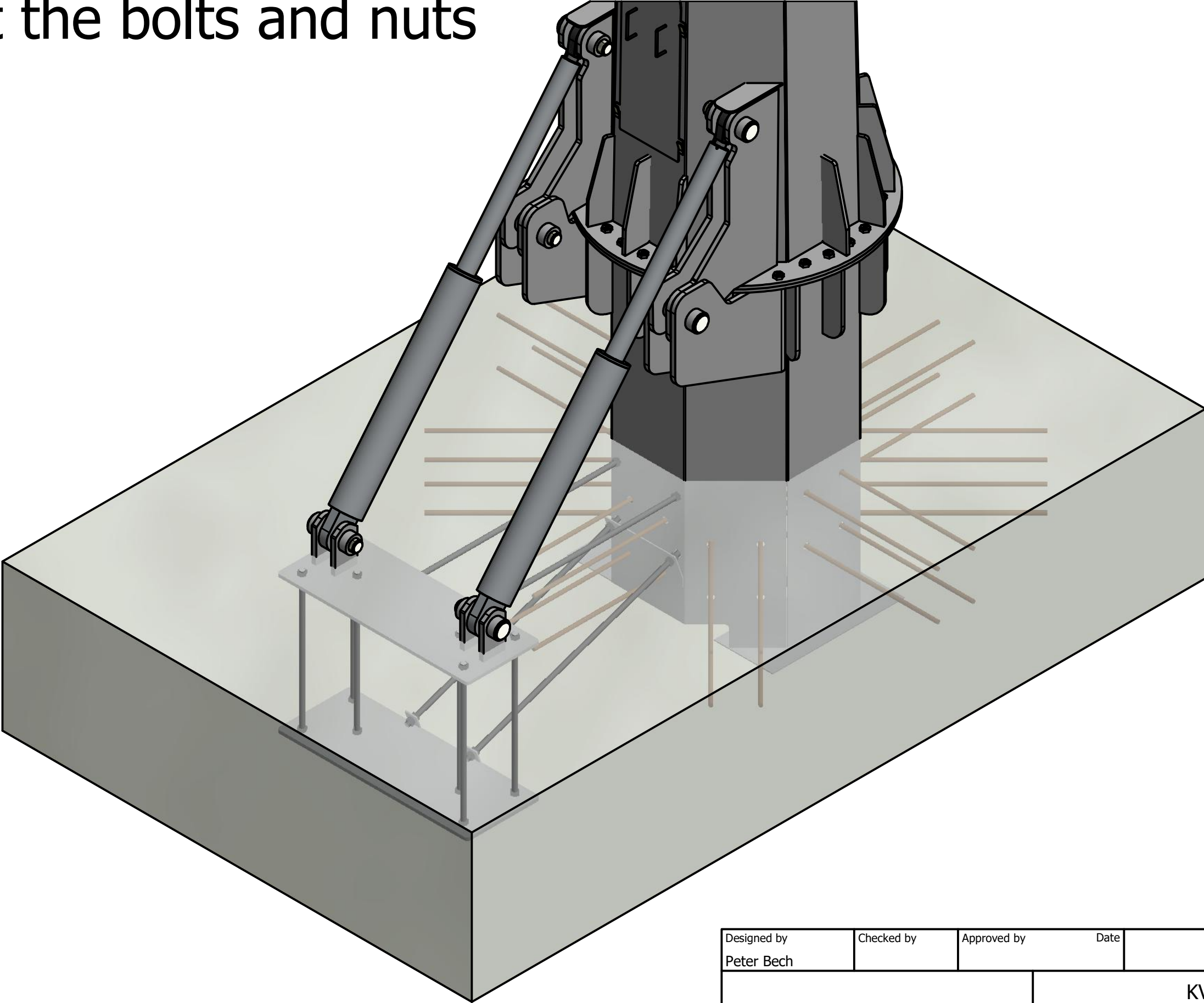


Designed by Peter Bech	Checked by	Approved by	Date	Date 10-07-2019	
			KVA Wind		
				Edition	Sheet 7 / 11



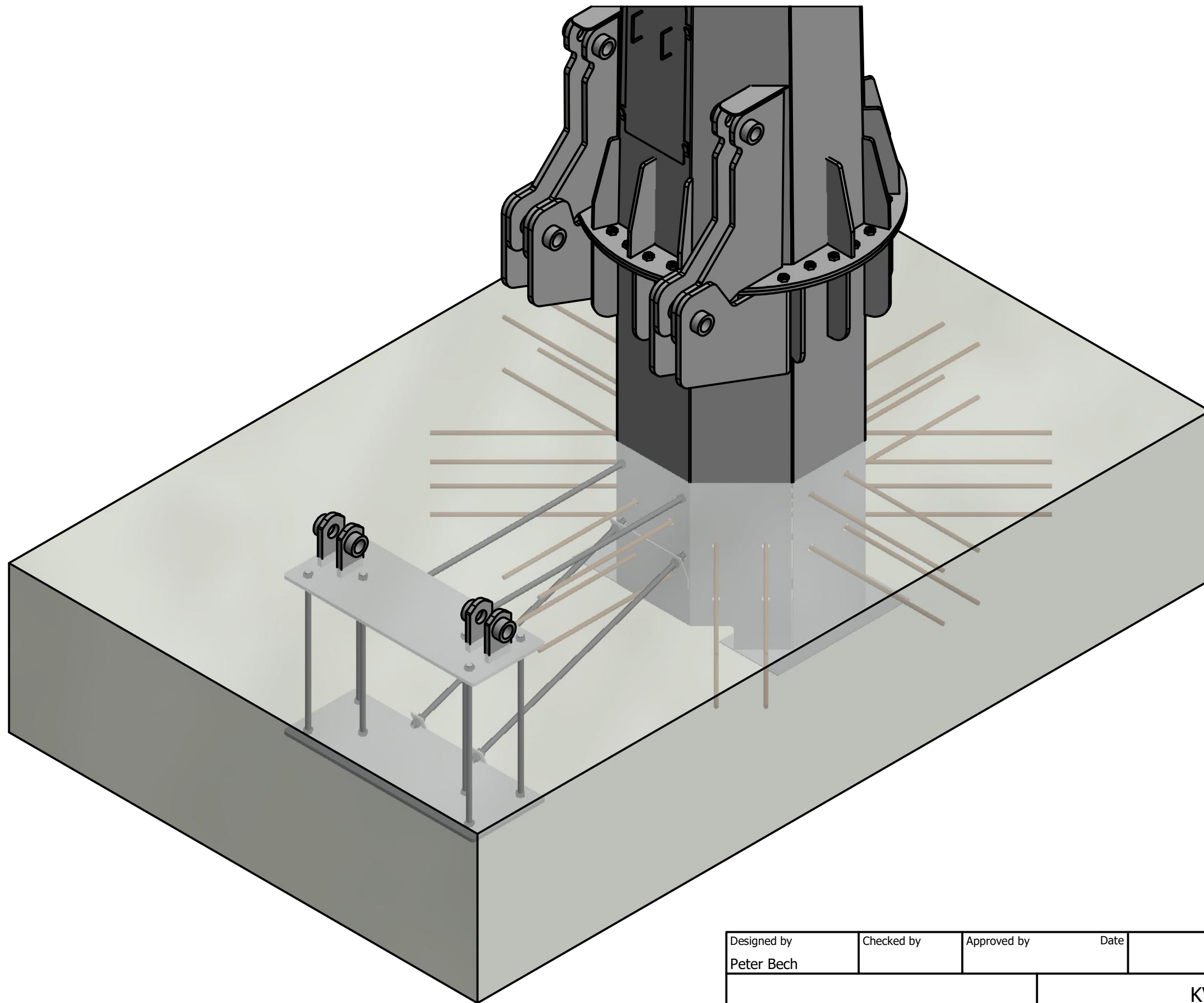
Designed by Peter Bech	Checked by	Approved by	Date	Date 10-07-2019	
			KVA Wind		
			Edition	Sheet 8 / 11	

Mount the bolts and nuts

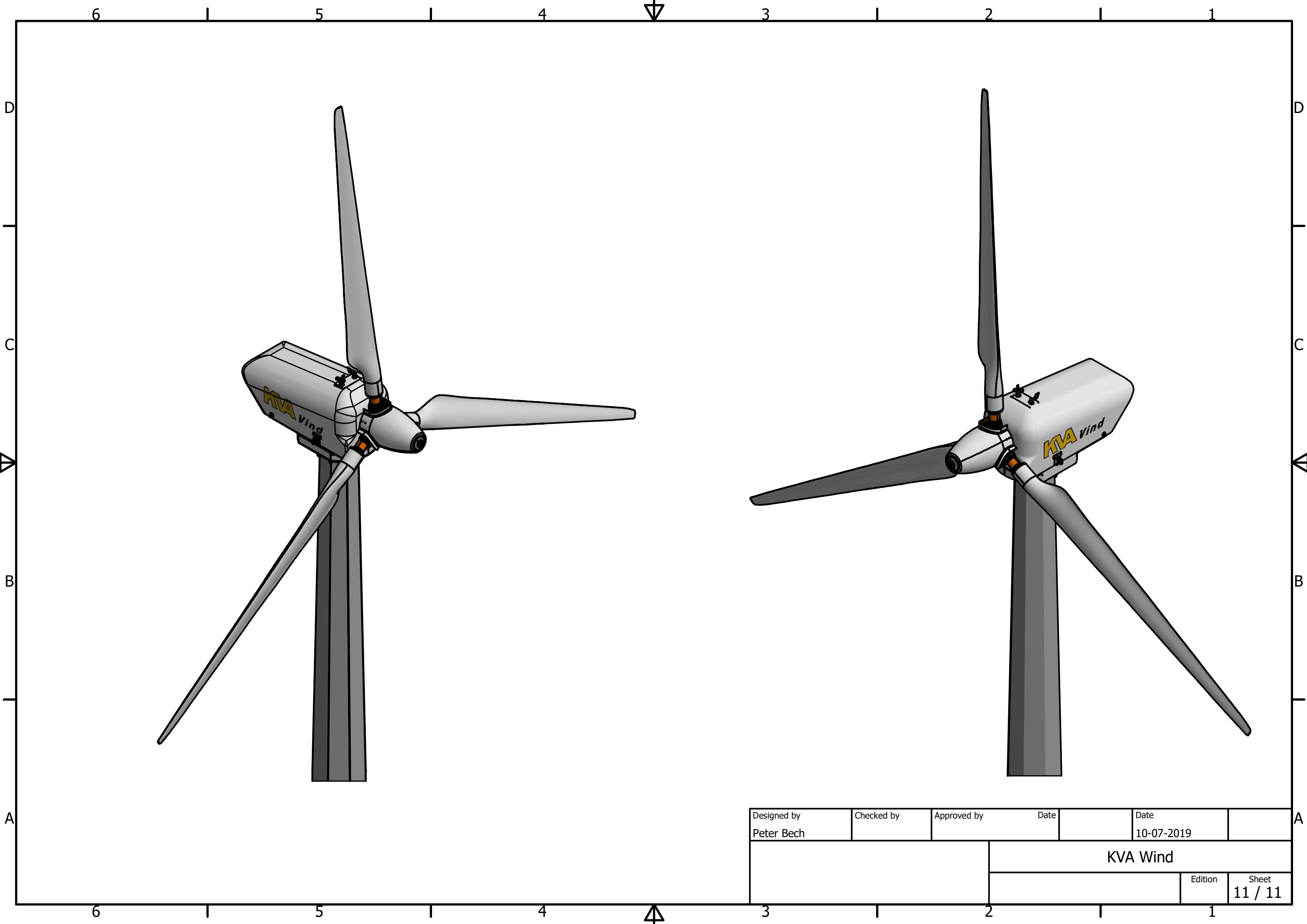


Designed by Peter Bech	Checked by	Approved by	Date	Date 10-07-2019	
			KVA Wind		
				Edition	Sheet 9 / 11

Unmount the pistons and nails



Designed by Peter Bech	Checked by	Approved by	Date	Date 10-07-2019	
			KVA Wind		
				Edition	Sheet 10 / 11



Designed by Peter Bech	Checked by	Approved by	Date	Date 10-07-2019	
			KVA Wind		
			Edition		Sheet 11 / 11